

D

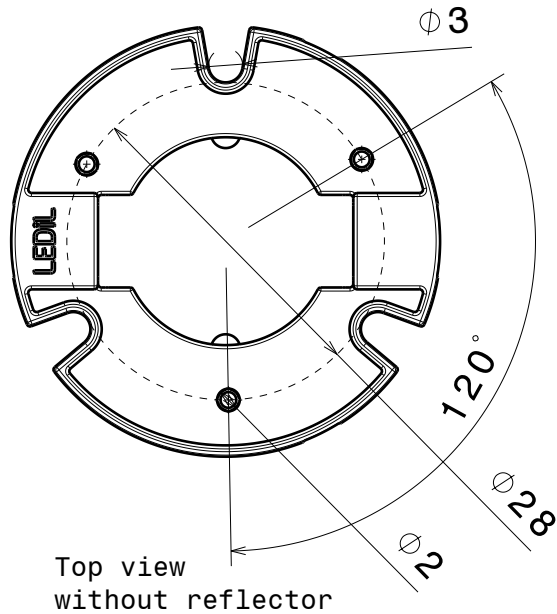
C

B

A

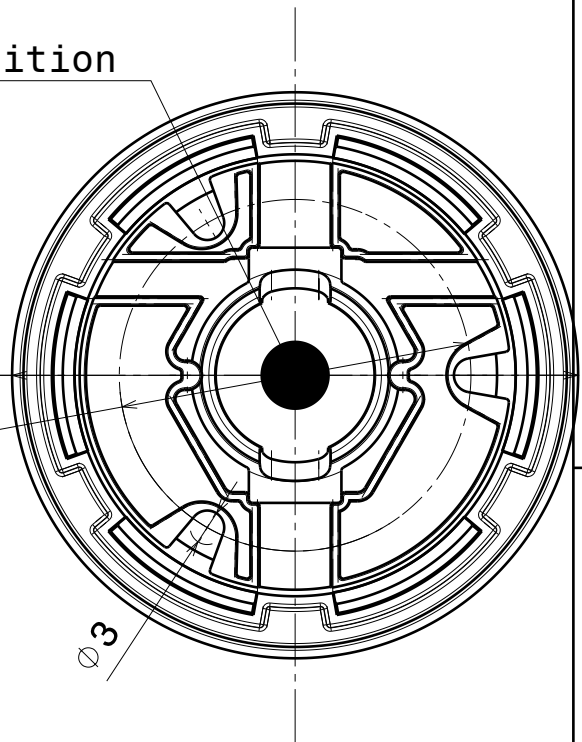
4

4



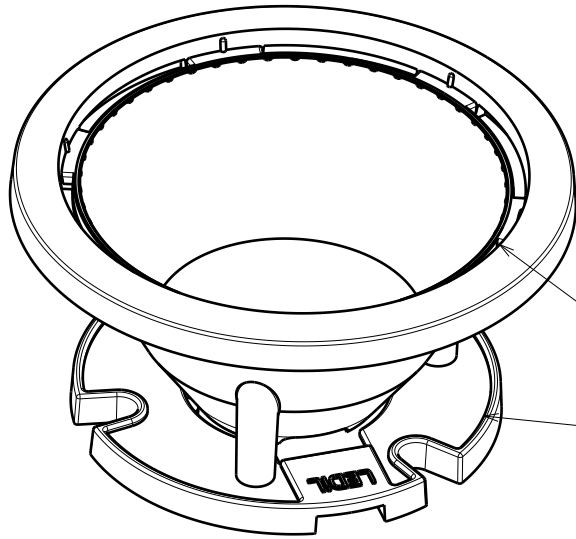
Top view without reflector

LED position



3

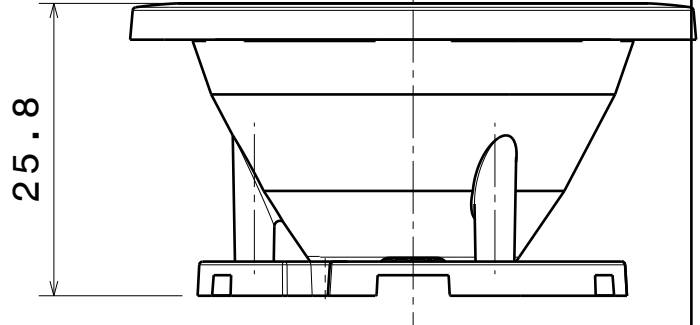
3



Reflector

Socket

Isometric view
Scale: 3:2



2

2

CN13917_MIRELLA-50-S-PF-VER010
 CN13919_MIRELLA-50-M-PF-VER010
 CN13921_MIRELLA-50-W-PF-VER010

Tolerances if not otherwise shown
 According to DIN ISO 2768-1
 Linear measures:
 Up to 30mm class M, otherwise class C.
 According to DIN ISO 2768-2
 Form and position: class L

LEDiL Ledil Oy
 Salorankatu 10
 FIN 24240 SALO
 Finland

THIRD ANGLE PROJECTION:

DRAWING TITLE
MIRELLA-50-PF-VER010

This drawing is the property of LEDiL Oy. It may not be reproduced, copied or communicated without a written agreement with LEDiL Oy."

SIZE	PART NUMBER		
A4	-		
SCALE	3:2	WEIGHT	-
SHEET			1/1

1

1

D

A